

# EQUIPMENT

[ อุปกรณ์เสริมโคมไฟ ]



Official Line ID

## Contact us

- ☎ 02-1016710
- ✉ lumbinaire@gmail.com
- 🗨 Line ID : @lumbinaire
- 🌐 www.lumbinaire.com

EQUIPMENT : INDOOR

# POWER SUPPLY



25W



35W



50W



75W



100W



150W



200W



350W

## SPECIFICATION

PRODUCT CODE	POWER (W)	OUTPUT VOLTAGE (V)	OUTPUT CURRENT (A)	INPUT VOLTAGE (V)	DIMENSION
EM-01I0001	25W	12V	2A	85-264 VAC 120-370 VDC	84 x 58 x 38 mm
EM-01I0002	35W	12V	3A	85-132 VAC 170-264 VDC	129 x 98 x 38 mm
EM-01I0003	50W	12V	4.2A	85-132 VAC 170-264 VDC	159 x 97 x 38 mm
EM-01I0004	75W	12V	6A	85-132 VAC 170-264 VDC	159 x 97 x 38 mm
EM-01I0005	100W	12V	8.5A	85-132 VAC 170-264 VDC	199 x 98 x 38 mm
EM-01I0006	150W	12V	12.5A	85-132 VAC 170-264 VDC	199 x 110 x 50 mm
EM-01I0007	200W	12V	16.5A	85-132 VAC 170-264 VDC	215 x 115 x 50 mm
EM-01I0008	350W	12V	29A	85-132 VAC 170-264 VDC	215 x 115 x 50 mm
EM-01I0009	25W	24V	1A	85-264 VAC 120-370 VDC	84 x 58 x 38 mm
EM-01I0010	35W	24V	1.5A	85-132 VAC 170-264 VDC	129 x 98 x 38 mm
EM-01I0011	50W	24V	2.1A	85-132 VAC 170-264 VDC	159 x 97 x 38 mm
EM-01I0012	75W	24V	3A	85-132 VAC 170-264 VDC	159 x 97 x 38 mm
EM-01I0013	100W	24V	4.5A	85-132 VAC 170-264 VDC	199 x 98 x 38 mm
EM-01I0014	150W	24V	6.5A	85-132 VAC 170-264 VDC	199 x 110 x 50 mm
EM-01I0015	200W	24V	8.3A	85-132 VAC 170-264 VDC	215 x 115 x 50 mm
EM-01I0016	350W	24V	14.5A	85-132 VAC 170-264 VDC	215 x 115 x 50 mm



TIS 1955-2551



EQUIPMENT : OUTDOOR

# POWER SUPPLY

 <p>CE</p> <p>TIS 1955-2551</p>	PRODUCT CODE	EM-0110018
	INPUT RANGE	AC170-264V, 50/60Hz
	OUTPUT VOLTAGE (V)	12V DC
	OUTPUT CURRENT (A)	3A
	POWER (W)	36W
	IP	IP67

 <p>CE</p> <p>TIS 1955-2551</p>	PRODUCT CODE	EM-0110020
	INPUT RANGE	AC170-264V, 50/60Hz
	OUTPUT VOLTAGE (V)	12V DC
	OUTPUT CURRENT (A)	5A
	POWER (W)	60W
	IP	IP67

 <p>CE</p> <p>TIS 1955-2551</p>	PRODUCT CODE	EM-0100002
	INPUT RANGE	AC170-250V, 50/60Hz
	OUTPUT VOLTAGE (V)	12V DC
	OUTPUT CURRENT (A)	5A
	POWER (W)	60W
	IP	IP67

 <p>CE</p> <p>TIS 1955-2551</p>	PRODUCT CODE	EM-0100003
	INPUT RANGE	AC170-250V, 50/60Hz
	OUTPUT VOLTAGE (V)	12V DC
	OUTPUT CURRENT (A)	8.3A
	POWER (W)	100W
	IP	IP67

 <p>CE</p> <p>TIS 1955-2551</p>	PRODUCT CODE	EM-0100004
	INPUT RANGE	AC170-250V, 50/60Hz
	OUTPUT VOLTAGE (V)	12V DC
	OUTPUT CURRENT (A)	16.67A
	POWER (W)	200W
	IP	IP67

EQUIPMENT

# HOLDER EQUIPMENT



HOLDER E27  
EM-03-0001



HOLDER E40  
EM-03-0002



HOLDER VINTAGE E27  
EM-03-0004



HOLDER BULB E27  
EM-03-0006



HOLDER MR16 GU5.3  
EM-03-0009



HOLDER MR16 GU10  
EM-03-0010

EQUIPMENT

# HIGH BAY EQUIPMENT



HIGH BAY COVER  
EM-04-0001/EM-04-0005

Size : 19" (E40) / 16" (E27)



HIGH BAY MIRROR  
EM-04-0003

Size : 19"



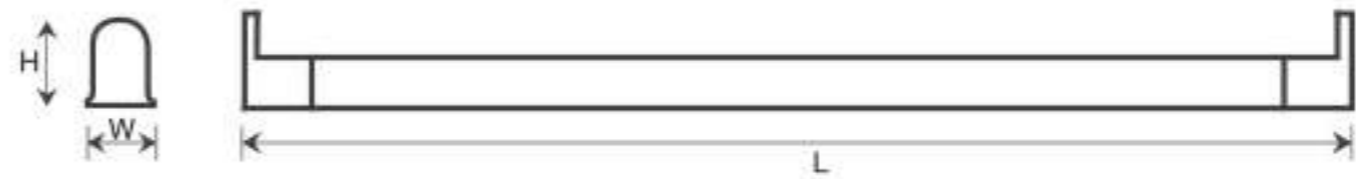
DRIVER BOX E40  
EM-04-0002



HANGING CHAIN  
EM-03-0003

EQUIPMENT : TUBE TRACK

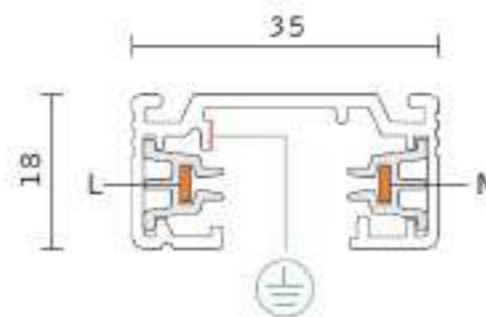
# TRACK EQUIPMENT



PRODUCT CODE	TYPE	W (mm)	L (mm)	H (mm)
EM-05-0001	TUBE T8 SINGLE	28	600	34
EM-05-0002	TUBE T8 SINGLE	28	1200	34
EM-05-0003	TUBE T8 DOUBLE	23	1200	34

EQUIPMENT : TRACK LIGHT

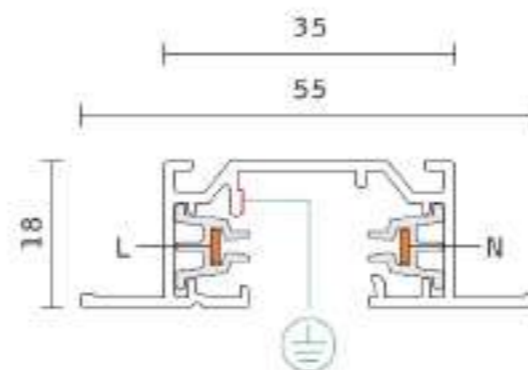
# TRACK EQUIPMENT



- 1 - circuit track
- Aluminium, powder-coated.
- Surface mounted.
- 2 isolated copper conductors and grounded via a separate copper busbar in the track.

**1** Length : 1 m. / 2 m. / 3 m.  
Input voltage : AC 230V, 16A

**SURFACE TYPE**  
Colour : White / Black



- 1 - circuit track
- Aluminium, powder-coated.
- Recessed mounted.
- 2 isolated copper conductors and grounded via a separate copper busbar in the track.

**2** Length : 1 m. / 2 m. / 3 m.  
Input voltage : AC 230V, 16A

**RECESS TYPE**  
Colour : White / Black

### JOINT CONNECTOR



TR-A1



TR-A2



TR-A3

**3** Length : 1 m. / 2 m. / 3 m.  
Input voltage : AC 230V, 16A

**SURFACE TYPE**  
Colour : White / Black

# DIMMER EQUIPMENT



## IC-E27S CONTROLLER

### FEATURES

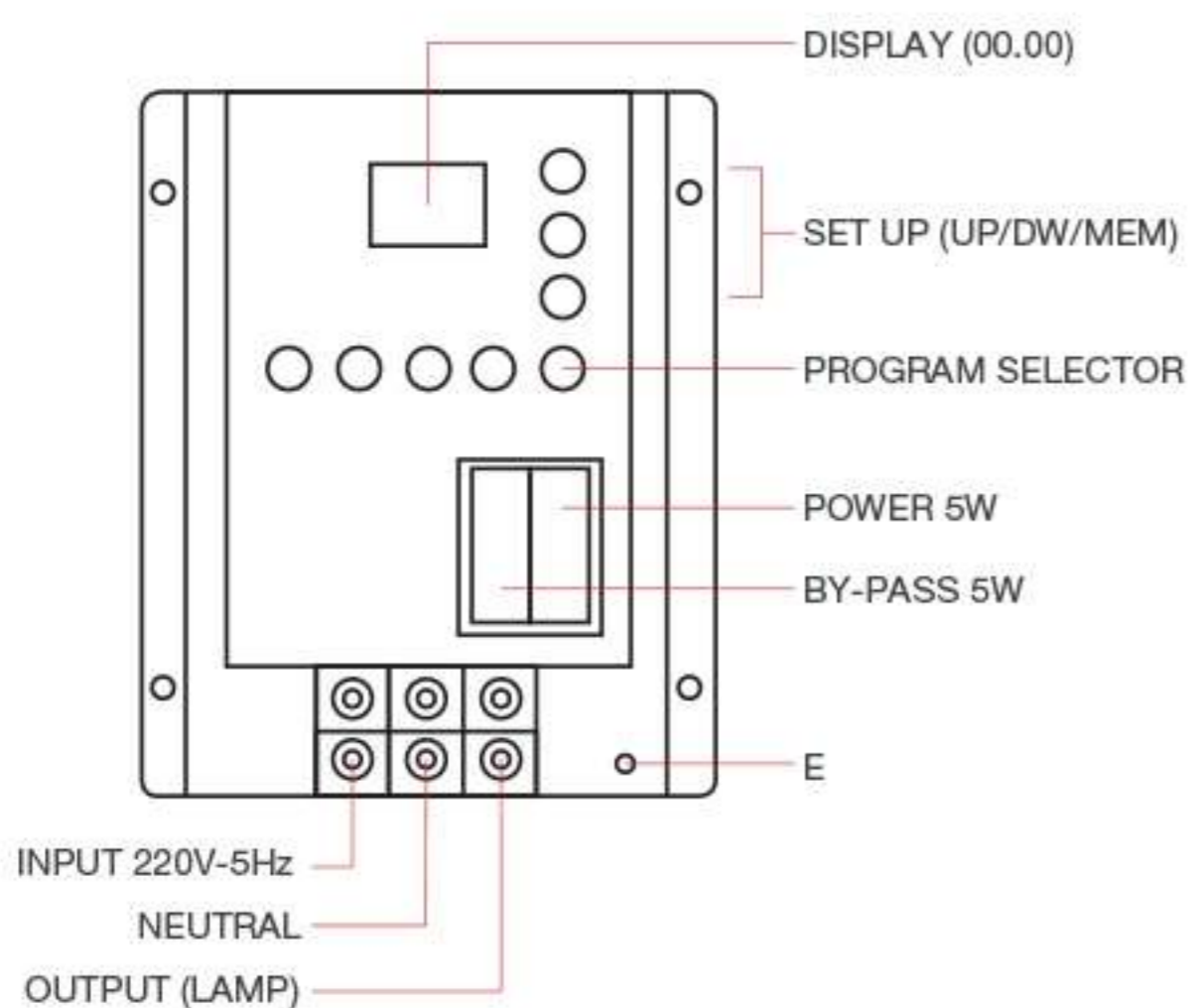
- Compatible with Resistive load
- Application – New / Retro-fit
- Up to 100% power saving
- Maximum power loss of 1.5W per controller
- Very low EMI & EMC
- Very low Voltage Harmonic Distortion
- Mains surge & spike tolerance
- Ambient temperature 10 to 55° C
- Linear control



TIS 1955-2551



### PRODUCT DETAILS



### SPECIFICATION

PRODUCT CODE	EM-06-0003
INPUT VOLTAGE	220-240V
FREQUENCY	50 Hz
OUTPUT CURRENT	10 Amp
POWER OUTPUT	1500W
POWER LOSS	2W
POWER FACTOR	0.99
ENERGY SAVE	0-100%
FOR	Incandescent / LED E27
SOFT START FUNCTION	Delay 1sec
STEP PROGRAM	5 Programs
SWITCH ON/OFF, BY-PASS	IC-E27S (option)
DIMENSION (MM.)	W=170, D=80, H=180

### TECHNICAL USAGE

#### Program setup

Start by pressing the P button (the controller has 5 programs: P1–P5) and select your desirable number by using up/dw button. Press ENT to confirm to confirm and store it in the system.

#### Working principle

If the load is LED and not incandescent, the SW By-pass should be at off position. When electricity is passed through, the bulbs will light up gradually (soft start). It is recommended that P1 should be set to 00 (off) and P2–P5 is to be selected at your desirable level. By using P1 as your off switch instead of turning off manually, the light will gradually dim down to zero to prevent any rush of electricity that can cause flickering to LED lights.

While switching between programs, the bulbs will light up momentarily as the CPU confirms the change in new setting and will store it as the last number. In the case of returning from electrical blackout, the bulbs will light up gradually to the latest setting.

# DIMMER EQUIPMENT



## IC-E27L CONTROLLER

### FEATURES

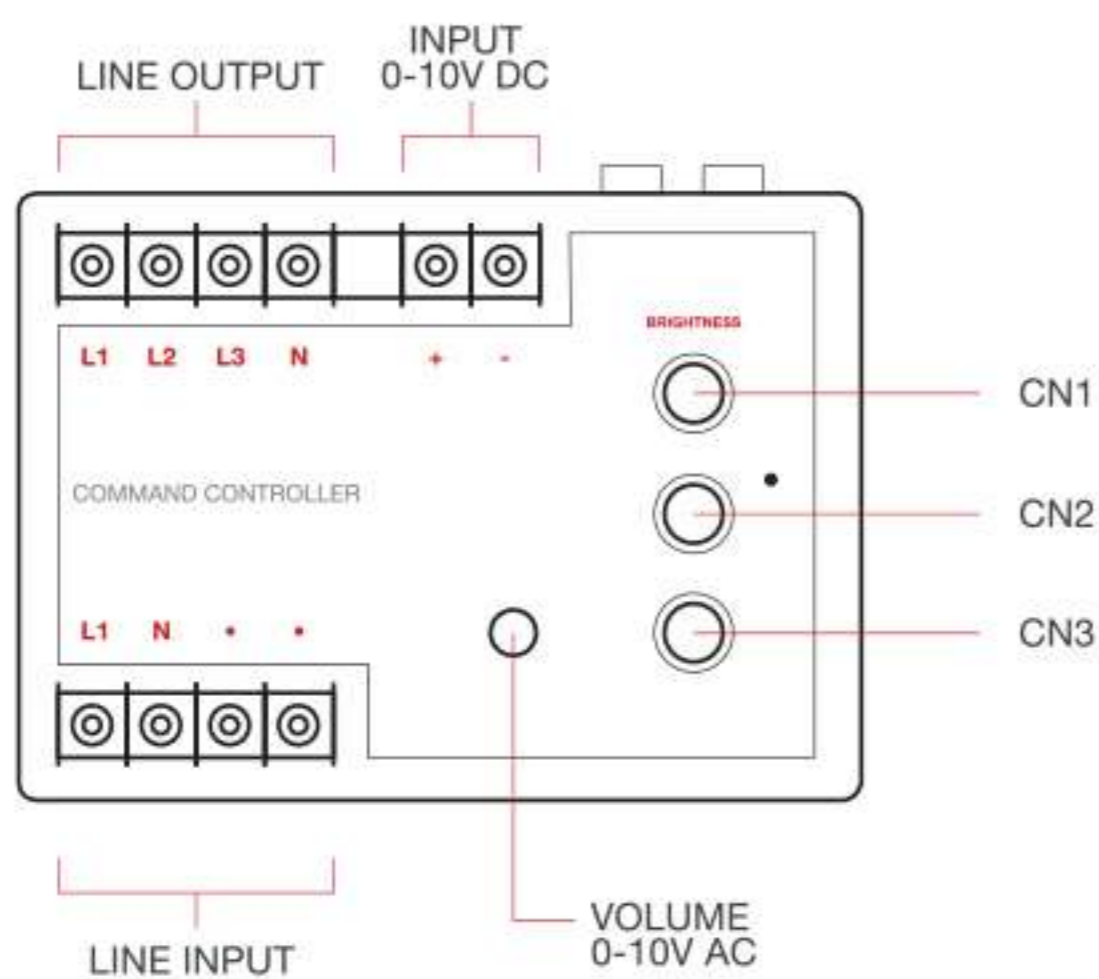
- Compatible with Resistive load
- Application – New / Retro-fit
- Up to 100% power saving
- Maximum power loss of 1.5W per controller
- Very low EMI & EMC
- Very low Voltage Harmonic Distortion
- Mains surge & spike tolerance
- Ambient temperature 10 to 55° C
- Linear control



TIS 1955-2551



### PRODUCT DETAILS



### SPECIFICATION

PRODUCT CODE	EM-06-0004
INPUT VOLTAGE	220-240V
FREQUENCY	50 Hz
OUTPUT CURRENT	10 Amp
POWER OUTPUT	2000W
POWER LOSS	2W
POWER FACTOR	0.5 (DIM) / 0.95 (FULL)
ENERGY SAVE	0-100%
FOR	Incandescent / LED E27
SOFT START FUNCTION	Delay 1sec
STEP PROGRAM	0-10V DC Analog/Digital
SWITCH ON/OFF, BY-PASS	IC-E27S (option)
DIMENSION (MM.)	W=170, D=210, H=110

### TECHNICAL USAGE

This controller is compatible with Dimmable E27 LED light bulb only. Firstly, connect the input electricity to Line input 220 Vac. Secondly, connect the light bulbs to Output, which has N side as a junction. The limit is 50 bulbs per output, total 150 bulbs for 3 output channels. Connect the DATA 0-10 Vdc line to Data in.

If SW is at volume position, the 3 channels will become independent of each other i.e. you can control each of the channel freely without effecting the other two. In contrast, when SW is at 0-10 position, the 3 output channels will be controlled at the same time.

There will be 1 minute 30 seconds delay when electricity is first connected to the controller. After 1 minute 30 seconds is passed, the system will work normally. One last thing to note, the dimming process in this controller is linear, which is not the conventional step – dimming.

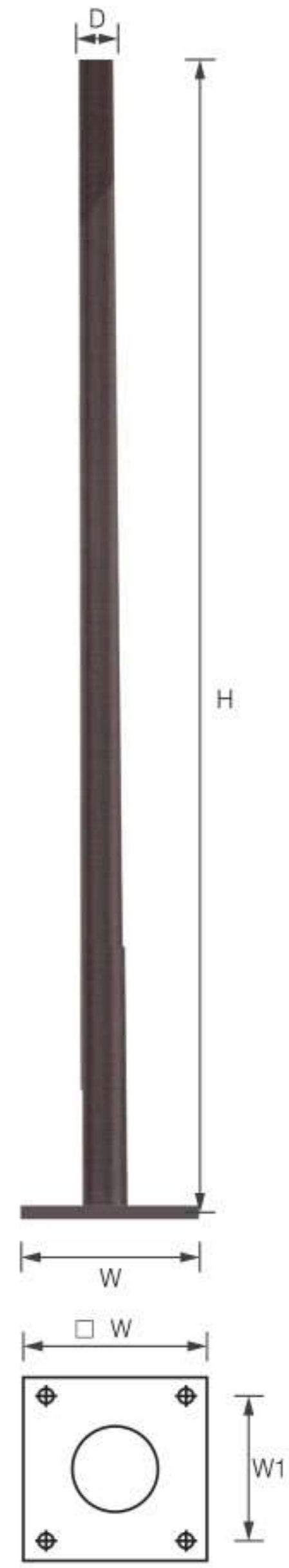
# EQUIPMENT POLE



EM-07-0001



EM-07-0002



EM-07-0003

PRODUCT CODE	H	D	W	W1	DETAIL
EM-07-0001	3,000	55	3.0 M.	BLACK	POLE ROUND EQM CLASSIC
EM-07-0002	2,500	105	250	200	POLE ROUND EQM CLASSIC
	3,000	105	250	200	
	3,500	105	250	200	
	4,000	105	250	200	
	5,000	115	350	280	
	6,000	115	350	280	
	7,000	115	350	280	
	8,000	115	350	280	
EM-07-0003	3,000	100	250	200	POLE ROUND EQM MODERN
	4,000	100	250	200	