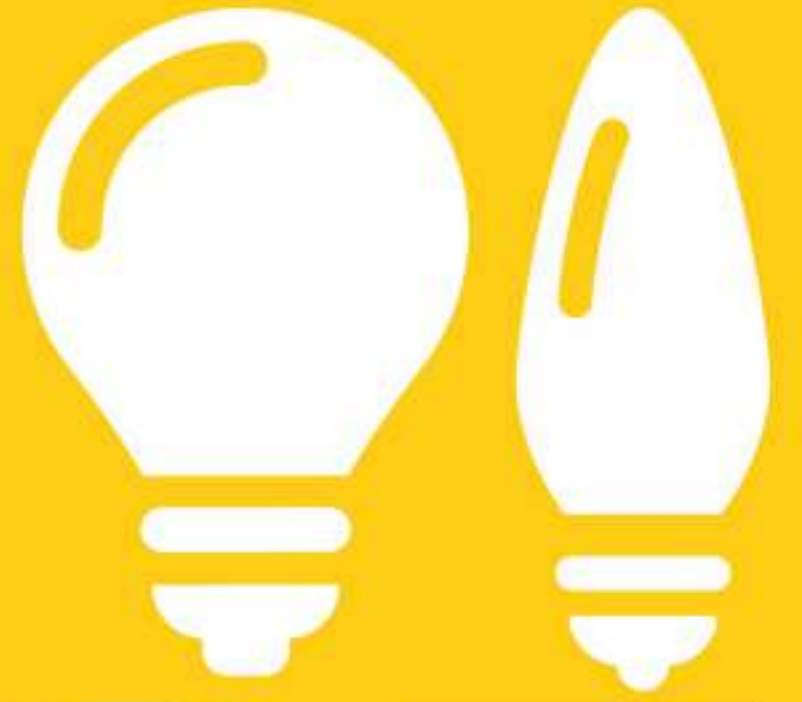


LIGHT SOURCE



[หลอดไฟ]

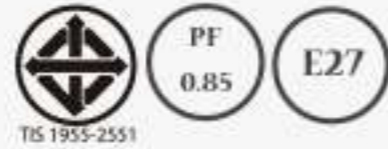


Official Line ID

Contact us

- ☎ 02-1016710
- ✉ lumbinaire@gmail.com
- 👤 Line ID : @lumbinaire
- 🌐 www.lumbinaire.com

THE SCIENCE OF POULTRY LIGHTING



ศาสตร์ของแสงสว่างกับการประหยัดพลังงาน การเพิ่มผลผลิตในฟาร์มด้วยหลอดไฟแอลอีดี



3W LED BULB

RED/GREEN/BLUE

- ✓ ประหยัดพลังงานลดลง 25-30%
- ✓ เพิ่มผลผลิตในสัตว์ปีก



การกระตุ้นไข่ฟักในตู้ฟักด้วยแสงสีขียว มีผลทำให้น้ำหนักตัวแรกเกิดของลูกไก่เพิ่มขึ้นเมื่อเปรียบเทียบกับกลุ่มควบคุมตู้ฟักในที่มืด (Rozenboim et al. 2004)

TABLE 1: THE IMPORTANCE OF SELECT COLORS OF LIGHT TO POULTRY PERFORMANCE

| คุณสมบัติ | สีแดง | สีน้ำเงิน | สีแดง, สีขาว และสีน้ำเงิน |
|------------------------------------|-------|-----------|---------------------------|
| เร่งการเจริญเติบโต | | ✓ | ✓ |
| เร่งความสมบูรณ์พันธุ์ระบบสืบพันธุ์ | ✓ | | ✓ |
| เพิ่มผลผลิตไข่ | ✓ | | ✓ |
| ลดความก้าวร้าว | ✓ | | ✓ |
| ลดการจิกกันของไก่ | ✓ | ✓ | ✓ |
| เพิ่มขนาดไข่ | | ✓ | ✓ |
| ลดความเครียด ทำให้ไก่สงบ | | ✓ | ✓ |

TABLE 2: RECENT (2013) FIELD RESULTS USING VARIABLE LED LIGHTING IN A BROILER BARN IN NORTH CAROLINA

| Type of Lamp | Age at Harvest (Days) | Average Body Weight (Pounds) | Feed Conversion |
|--------------|-----------------------|------------------------------|-----------------|
| Incandescent | 49 | 5.67 | 1.94 |
| LED | 49 | 5.87 | 1.91 |

TABLE 3 : THE AVERAGE EGGS/HEN/WEEK (A) IN THE LIGHT TREATMENT GROUPS.

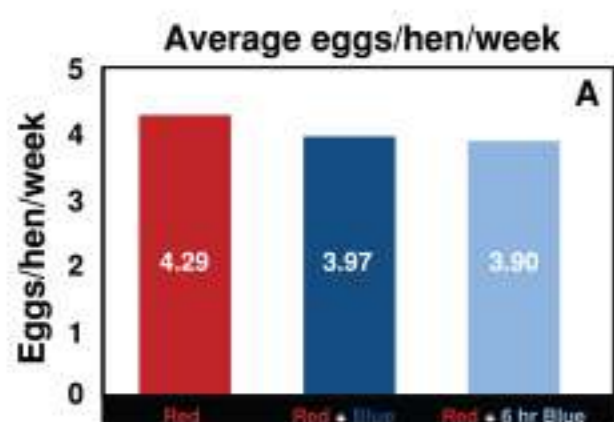
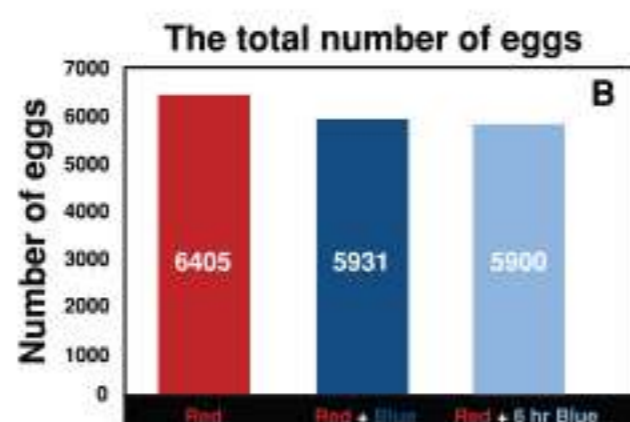


TABLE 4 : THE TOTAL NUMBER OF EGGS (B) IN THE LIGHT TREATMENT GROUPS.



LIGHT INTENSITY IS EQUALLY IMPORTANT

The intensity or brightness of a lighting system (a separate component from color) is equally important in maximizing hen performance (Rozenbolm et al., 1998). Recent work by El Halawani (2009) provide devidence that red LED lights (630nm wave length lighting) at 30 Lux (or 3 foot candle) enhances egg production. The following bar graph indicates the impact on egg production of the same color of light but at different light intensities.

REFERENCE : LED Lighting for Improved Performance and Energy Savings in Poultry Farming, Juliette L. Delabbio, PhD, Director of Biological Research and Development



"ง่ายซะทุกอย่าง"

(ต่อการจัดการความเข้มแสง เพราะ...
ไถ่แต่ละช่วงอายุต้องการความเข้มแสงที่ต่างกัน)



BULB DIMMABLE

- ✓ ง่ายต่อการจัดการแสงสว่าง
- ✓ ง่ายต่อการทำงาน
- ✓ ง่ายต่อการคำนวณค่าไฟฟ้า
- ✓ ง่ายต่อการควบคุมแสงสว่าง



| PRODUCT | COLOUR TEMP (K) | LUMEN |
|---------|------------------|-------|
| 7W | WARM WHITE 3000K | 600 |
| 9W | WARM WHITE 3000K | 750 |
| 11W | DAY LIGHT 6500K | 900 |
| | WARM WHITE 3000K | 950 |
| 13W | COOL WHITE 4100K | 1300 |
| | WARM WHITE 2700K | 1300 |



Contact us | Showroom @ CDC | 02-1016710 | luminaire@gmail.com | Line ID : @luminaire | www.luminaire.com | Official Line ID | luminaire

ติดต่อฝ่ายขาย คุณปาไลดา สิงสี (ไอซ์) เบอร์โทร 094-836-4689

1448/13 อาคารเค 5 ชั้น 1 ห้องเลขที่ 103 ซอยลาดพร้าว 87 (จันทราสุข) แขวงคลองจั่น เขตบางกะปิ กรุงเทพฯ 10240

1448/13 K5 Building, 1st Floor, Room 103, Soi Ladprao 87 (Chantrasook) Klongjun, Bangkok, Bangkok 10240 Thailand

LED LIGHT SOURCE
BULB
DIMMABLE



LED BULB DIMMABLE

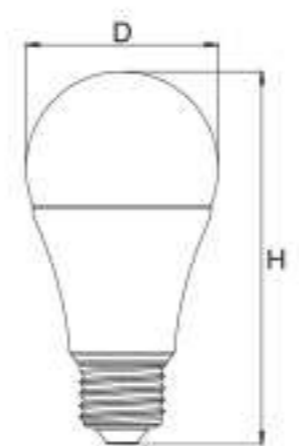
Smooth dimming

FEATURES

- 90% saving on energy consumption.
- Long life expectancy > 30,000 hrs.
- Dimming range from 100% to 1%
- Available to standard bulb socket.
(replacement for incandescent bulb and CFL bulb)
- No harmful radiations and substances i.e. UV, IR, Mercury and lead.
- High quality PC cover and PE coated aluminium body.

APPLICATION

- Suitable for leading edge or trailing edge dimmer
- Ideal for general ambient lighting in offices, conference rooms, shopping malls, hotels exhibition pavilions, supermarkets, and residential.



| TYPE | D Ø (mm) | H (mm) |
|------|-------------|-----------|
| 7W | 60 | 112 |
| 9W | 60 | 112 |
| 11W | 60 | 118 |
| 13W | 65 | 120 |
| 15W | 60 | 120 |

| PRODUCT CODE | POWER (W) | INPUT VOLTAGE (V) | BASE | CCT (K) | LUMEN | CRI | LIFE (HRS) | BEAM ANGLE | PF |
|--------------|-----------|-------------------|------|---------|-------|-----|------------|------------|-------|
| LS-01-0003 | 7 | 220-240 | E27 | 6000 | 650 | ≥80 | 30,000 | 200° | >0.85 |
| LS-01-0004 | 7 | 220-240 | E27 | 3000 | 630 | ≥80 | 30,000 | 200° | >0.85 |
| LS-01-0007 | 9 | 220-240 | E27 | 6000 | 850 | ≥80 | 30,000 | 200° | >0.85 |
| LS-01-0008 | 9 | 220-240 | E27 | 3000 | 810 | ≥80 | 30,000 | 200° | >0.85 |
| LS-01-0009 | 11 | 220-240 | E27 | 6000 | 1050 | ≥80 | 30,000 | 200° | >0.85 |
| LS-01-0010 | 11 | 220-240 | E27 | 3000 | 1000 | ≥80 | 30,000 | 200° | >0.85 |
| LS-01-0011 | 13 | 220-240 | E27 | 4000 | 1250 | ≥80 | 30,000 | 200° | >0.85 |
| LS-01-0012 | 13 | 220-240 | E27 | 3000 | 1250 | ≥80 | 30,000 | 200° | >0.85 |
| LS-01-0050 | 15 | 220-240 | E27 | 2700 | 1100 | ≥80 | 25,000 | 180° | >0.70 |



LIGHT SOURCE

BULB

RED / GREEN / BLUE



LED BULB RED / GREEN / BLUE

FEATURES

- 90% saving on energy consumption
- Long life expectancy > 50,000 hrs.
- Available to standard bulb socket.
(replacement for incandescent and CFL bulb)
- No harmful radiations and substances i.e.UV, IR, Mercury and lead.
- High quality PC cover and PE coated aluminium body

APPLICATION

- Suitable for livestock farm



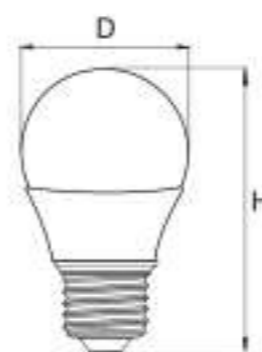
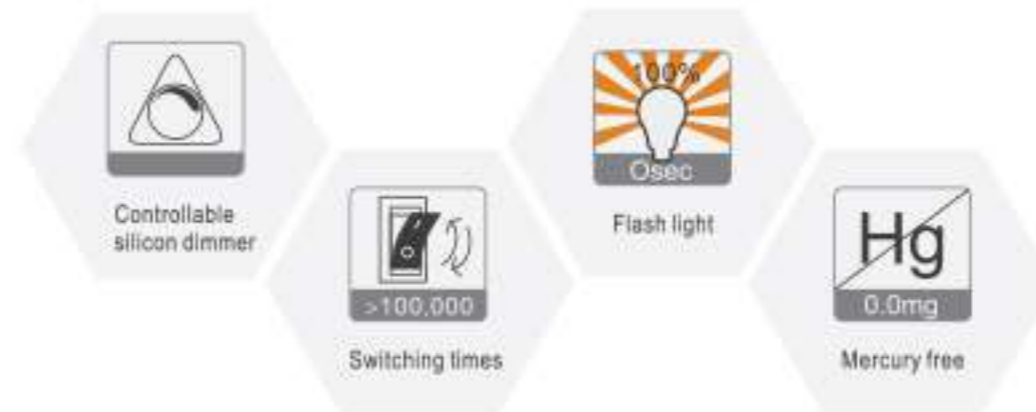
LS-01-0013
RED



LS-01-0054
GREEN



LS-01-0055
BLUE



| TYPE | D (mm) | H (mm) |
|------|--------|--------|
| 3W | 45 | 80 |

| PRODUCT CODE | POWER (W) | INPUT VOLTAGE (V) | BASE | CCT (K) | LUMEN | CRI | LIFE (HRS) | BEAM ANGLE | PF |
|--------------|-----------|-------------------|------|---------|-------|-----|------------|------------|------|
| LS-01-0013 | 3W | 220V-240V | E27 | RED | 40 | 30 | 50,000 | 180° | 0.90 |
| LS-01-0054 | 3W | 220V-240V | E27 | GREEN | 40 | 30 | 50,000 | 180° | 0.90 |
| LS-01-0055 | 3W | 220V-240V | E27 | BLUE | 40 | 30 | 50,000 | 180° | 0.90 |



LIGHT SOURCE

BULB

NON - DIMMABLE



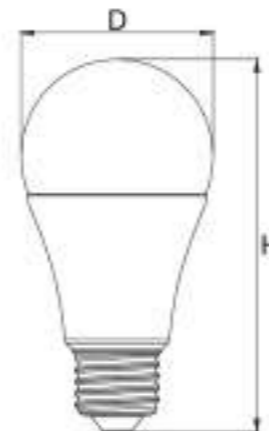
LED BULB NON-DIMMABLE

FEATURES

- 90% saving on energy consumption
- Long life expectancy > 25,000 hrs.
- Available to standard bulb socket.
(replacement for incandescent and CFL bulb)
- No harmful radiations and substances i.e. UV, IR, Mercury and lead.
- High quality PC cover and PE coated aluminium body

APPLICATION

- Ideal for general ambient lighting in offices, conference rooms, shopping malls, hotels exhibition pavilions, supermarkets, and residential.



| TYPE | D (mm) | H (mm) |
|------|--------|--------|
| 3W | 45 | 74 |
| 5W | 60 | 112 |
| 7W | 60 | 112 |
| 10W | 60 | 118 |
| 15W | 65 | 128 |

| PRODUCT CODE | POWER (W) | INPUT VOLTAGE (V) | BASE | CCT (K) | LUMEN | CRI | LIFE (HRS) | BEAM ANGLE |
|--------------|-----------|-------------------|------|---------|-------|-----|------------|------------|
| LS-01-0052 | 3W | 220V-240V | E27 | 6500K | 260 | ≥80 | 25,000 | 180° |
| LS-01-0057 | 3W | 220V-240V | E27 | 3000K | 250 | ≥80 | 30,000 | 200° |
| LS-01-0016 | 5W | 220V-240V | E27 | 6500K | 440 | ≥80 | 25,000 | 180° |
| LS-01-0017 | 5W | 220V-240V | E27 | 3000K | 425 | ≥80 | 25,000 | 180° |
| LS-01-0019 | 7W | 220V-240V | E27 | 6500K | 610 | ≥80 | 25,000 | 180° |
| LS-01-0020 | 7W | 220V-240V | E27 | 3000K | 595 | ≥80 | 25,000 | 180° |
| LS-01-0022 | 10W | 220V-240V | E27 | 6500K | 850 | ≥80 | 25,000 | 180° |
| LS-01-0023 | 10W | 220V-240V | E27 | 3000K | 810 | ≥80 | 25,000 | 180° |
| LS-01-0024 | 15W | 220V-240V | E27 | 6500K | 1350 | ≥80 | 25,000 | 180° |
| LS-01-0025 | 15W | 220V-240V | E27 | 3000K | 1400 | ≥80 | 25,000 | 180° |



LIGHT SOURCE TUBE T8

HALF-ALUMINIUM DOUBLE-ENDED



LED TUBE T8 HALF-ALUMINIUM DOUBLE-ENDED

FEATURES

- Up to 60% energy saving compared with fluorescents.
- Long life expectancy > 40,000 hrs. (5 times more than T8 fluorescents)
- Available to standard tube socket. (replacement for fluorescent tube)
- Considerably lower energy cost.

APPLICATION

- Widely used in factories, offices, banks, shopping centers, subways, schools and other places that requires high brightness and energy saving benefits.



| TYPE | D Ø (mm) | L (mm) |
|------|-------------|-----------|
| 9W | 27 | 600 |
| 18W | 27 | 1200 |



NON-DIMMABLE

| PRODUCT CODE | POWER (W) | INPUT VOLTAGE (V) | BASE | CCT (K) | LUMEN | CRI | LIFE (HRS) | BEAM ANGLE | PF |
|--------------|-----------|-------------------|------|---------|-------|-----|------------|------------|------|
| LS-02T8014 | 9W | 220V-240V | G13 | 6500K | 1000 | ≥80 | 40,000 | 160° | 0.95 |
| LS-02T8015 | 9W | 220V-240V | G13 | 3000K | 950 | ≥80 | 40,000 | 160° | 0.95 |
| LS-02T8016 | 18W | 220V-240V | G13 | 6500K | 2000 | ≥80 | 40,000 | 160° | 0.95 |
| LS-02T8017 | 18W | 220V-240V | G13 | 3000K | 1950 | ≥80 | 40,000 | 160° | 0.95 |

DIMMABLE

| PRODUCT CODE | POWER (W) | INPUT VOLTAGE (V) | BASE | CCT (K) | LUMEN | CRI | LIFE (HRS) | BEAM ANGLE | PF |
|--------------|-----------|-------------------|------|---------|-------|-----|------------|------------|------|
| LS-02T8012 | 18W | 220V-240V | G13 | 6500K | 1900 | ≥80 | 40,000 | 160° | 0.88 |
| LS-02T8013 | 18W | 220V-240V | G13 | 3000K | 1800 | ≥80 | 40,000 | 160° | 0.88 |





LIGHT SOURCE

TUBE T8

GLASS DOUBLE-ENDED



LED TUBE T8 GLASS DOUBLE-ENDED

FEATURES

- Up to 60% energy saving compared with fluorescents.
- Long life expectancy > 25,000 hrs. (3 times more than T8 fluorescents)
- Available to standard tube socket (replacement for fluorescent tube).
- Considerably lower energy cost.

APPLICATION

- Widely used in factories, offices, banks, shopping centers, subways, schools and other places that requires high brightness and energy saving benefits.



| TYPE | D Ø (mm) | L (mm) |
|------|-------------|-----------|
| 8W | 27 | 600 |
| 9W | 27 | 1200 |
| 16W | 27 | 1200 |
| 18W | 27 | 1200 |



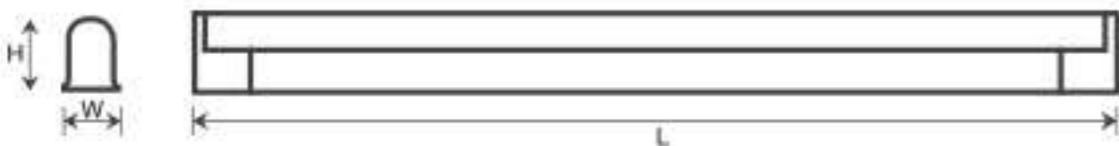
| PRODUCT CODE | POWER (W) | INPUT VOLTAGE (V) | BASE | CCT (K) | LUMEN | CRI | LIFE (HRS) | BEAM ANGLE |
|--------------|-----------|-------------------|------|---------|-------|-----|------------|------------|
| LS-02T8003 | 8W | 220V-240V | G13 | 6500K | 640 | ≥80 | 25,000 | 270° |
| LS-02T8018 | 9W | 220V-240V | G13 | 6500K | 900 | ≥80 | 25,000 | 270° |
| LS-02T8019 | 9W | 220V-240V | G13 | 3000K | 850 | ≥80 | 25,000 | 270° |
| LS-02T8004 | 16W | 220V-240V | G13 | 6500K | 1280 | ≥80 | 25,000 | 270° |
| LS-02T8020 | 18W | 220V-240V | G13 | 6500K | 1750 | ≥80 | 25,000 | 270° |
| LS-02T8021 | 18W | 220V-240V | G13 | 3000K | 1800 | ≥80 | 25,000 | 270° |
| LS-02T8005 | 18W | 220V-240V | G13 | YELLOW | - | - | 25,000 | 270° |
| LS-02T8006 | 18W | 220V-240V | G13 | RED | - | - | 15,000 | 270° |
| LS-02T8007 | 18W | 220V-240V | G13 | GREEN | - | - | 15,000 | 270° |
| LS-02T8008 | 18W | 220V-240V | G13 | BLUE | - | - | 15,000 | 270° |



LIGHT SOURCE

SET T5

BUILT-IN SET



| TYPE | W (mm) | L (mm) | H (mm) |
|------|--------|--------|--------|
| 4W | 23 | 308 | 34 |
| 8W | 23 | 570 | 34 |
| 10W | 23 | 870 | 34 |
| 14W | 23 | 1170 | 34 |

LED SET T5 BUILT-IN SET

New design, continuous lighting without shadows. Transparent plug connector leading to seamless connection between fixtures.

FEATURES

- 50% saving on energy consumption.
- Long life expectancy > 25,000 hrs.
- Replacement for fluorescent T5.
- Aluminum-alloy housing, excellent heat sink.

APPLICATION

- Widely used in factories, offices, banks, shopping centers, subways, schools and other places that requires high brightness and energy saving benefits.



| PRODUCT CODE | POWER (W) | INPUT VOLTAGE (V) | BASE | CCT (K) | LUMEN | CRI | LIFE (HRS) | BEAM ANGLE |
|--------------|-----------|-------------------|--------------|---------|-------|-----|------------|------------|
| LS-02B0015 | 4W | 220V-240V | BUILT-IN SET | 6500K | 300 | ≥80 | 25,000 | 130° |
| LS-02B0016 | 4W | 220V-240V | BUILT-IN SET | 4000K | 250 | ≥70 | 25,000 | 130° |
| LS-02B0017 | 4W | 220V-240V | BUILT-IN SET | 3000K | 200 | ≥80 | 25,000 | 130° |
| LS-02B0018 | 8W | 220V-240V | BUILT-IN SET | 6500K | 600 | ≥80 | 25,000 | 130° |
| LS-02B0019 | 8W | 220V-240V | BUILT-IN SET | 4000K | 530 | ≥70 | 25,000 | 130° |
| LS-02B0020 | 8W | 220V-240V | BUILT-IN SET | 3000K | 470 | ≥80 | 25,000 | 130° |
| LS-02B0021 | 10W | 220V-240V | BUILT-IN SET | 6500K | 800 | ≥80 | 25,000 | 130° |
| LS-02B0022 | 10W | 220V-240V | BUILT-IN SET | 4000K | 700 | ≥70 | 25,000 | 130° |
| LS-02B0023 | 10W | 220V-240V | BUILT-IN SET | 3000K | 650 | ≥80 | 25,000 | 130° |
| LS-02B0024 | 14W | 220V-240V | BUILT-IN SET | 6500K | 1100 | ≥80 | 25,000 | 130° |
| LS-02B0025 | 14W | 220V-240V | BUILT-IN SET | 4000K | 980 | ≥70 | 25,000 | 130° |
| LS-02B0026 | 14W | 220V-240V | BUILT-IN SET | 3000K | 900 | ≥80 | 25,000 | 130° |

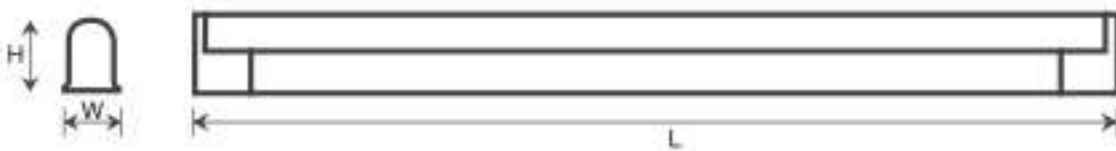




LIGHT SOURCE

SET T8

GLASS DOUBLE-ENDED



| TYPE | W (mm) | L (mm) | H (mm) |
|------|--------|--------|--------|
| 9W | 28 | 620 | 34 |
| 18W | 28 | 1212 | 34 |
| 20W | 23 | 870 | 34 |
| 50W | 23 | 1170 | 34 |
| 70W | 23 | 870 | 34 |

IP 20

| PRODUCT CODE | POWER (W) | INPUT VOLTAGE (V) | BASE | CCT (K) | LUMEN | CRI | LIFE (HRS) | BEAM ANGLE |
|--------------|-----------|-------------------|------|---------|-------|-----|------------|------------|
| LS-02B8001 | 9W | 220V-240V | G13 | 6500K | 900 | ≥80 | 25,000 | 270° |
| LS-02B8002 | 9W | 220V-240V | G13 | 3000K | 850 | ≥80 | 25,000 | 270° |
| LS-02B8007 | 18W | 220V-240V | G13 | 6500K | 1800 | ≥80 | 25,000 | 270° |
| LS-02B8008 | 18W | 220V-240V | G13 | 3000K | 1750 | ≥80 | 25,000 | 270° |

IP 65

| PRODUCT CODE | POWER (W) | INPUT VOLTAGE (V) | BASE | CCT (K) | LUMEN | CRI | LIFE (HRS) | BEAM ANGLE |
|--------------|-----------|-------------------|--------------|---------|-------|-----|------------|------------|
| LS-02B8015 | 20W | 220V-240V | BUILT-IN SET | 6500K | 2150 | ≥80 | 40,000 | 230° |
| LS-02B8016 | 20W | 220V-240V | BUILT-IN SET | 3000K | 1850 | ≥80 | 40,000 | 230° |
| LS-02B8017 | 50W | 220V-240V | BUILT-IN SET | 6500K | 4800 | ≥80 | 40,000 | 230° |
| LS-02B8018 | 70W | 220V-240V | BUILT-IN SET | 6500K | 6910 | ≥80 | 40,000 | 230° |

LED SET T8 GLASS DOUBLE-ENDED

270 degree full directional lighting

FEATURES

- Up to 60% energy saving compared with fluorescent light.
- Long life expectancy > 25,000 hrs.
- Available to standard tube socket (replacement for fluorescent tube).

APPLICATION

- Widely used in factories, offices, banks, shopping centers, subways, schools and other places that requires high brightness and energy saving benefits.





LIGHT SOURCE

CANDLE



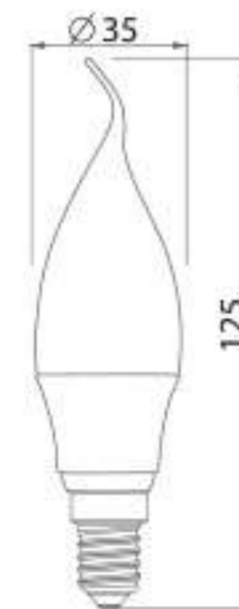
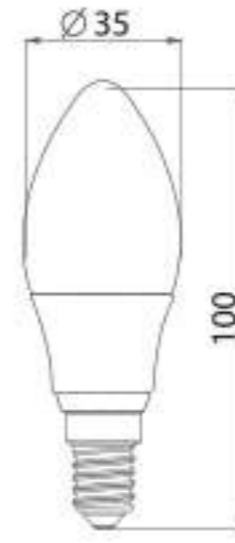
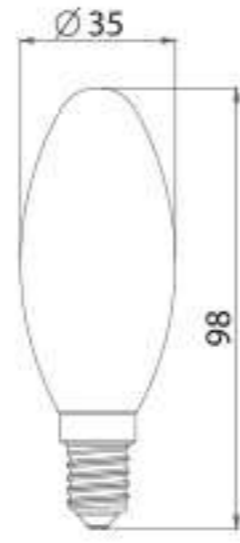
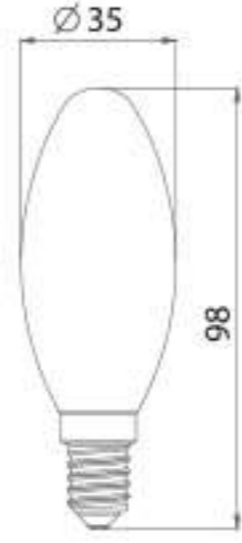
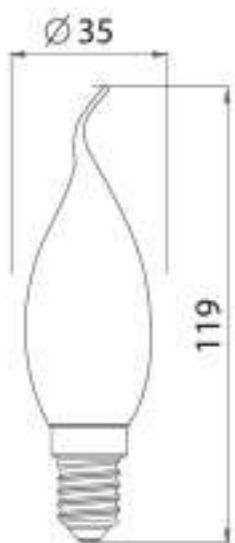
LS-03-0001
GLASS (CLEAR)

LS-03-0002
GLASS (MILK)

LS-03-0003
GLASS (CLEAR)

LS-03-0004
ALUMINIUM HOUSING

LS-03-0005
ALUMINIUM HOUSING



LED CANDLE

FEATURES

- 80% saving on energy consumption.
- Long life expectancy.
- Available to standard bulb socket (Replacement for incandescent bulb).

APPLICATION

- Ideal for general ambient lighting in offices, conference room, shopping malls, exhibition pavilions, supermarkets, hotels and residential.

| PRODUCT CODE | POWER (W) | INPUT VOLTAGE (V) | BASE | CCT (K) | LUMEN | CRI | LIFE (HRS) | BEAM ANGLE |
|--------------|------------|-------------------|------|---------|-------|-----|------------|------------|
| LS-03-0001 | 2W (CLEAR) | 220V-240V | E14 | 2700K | - | - | 2,500 | 360° |
| LS-03-0002 | 4W (MILK) | 220V-240V | E14 | 2700K | 320 | ≥80 | 30,000 | 360° |
| LS-03-0003 | 4W (CLEAR) | 220V-240V | E14 | 2700K | 320 | ≥80 | 25,000 | 360° |
| LS-03-0004 | 4W (C35) | 220V-240V | E14 | 2700K | 230 | ≥80 | 25,000 | 280° |
| LS-03-0005 | 4W (BT35) | 220V-240V | E14 | 2700K | 230 | ≥80 | 25,000 | 280° |





LIGHT SOURCE

BALL

NON - DIMMABLE



LS-04-0001
MILKY



LS-04-0002
CLEAR

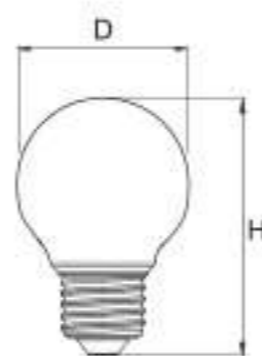
LED BALL NON-DIMMABLE

FEATURES

- 80% saving on energy consumption.
- Long life expectancy > 15,000 hrs.
- Available to standard bulb socket (replacement for incandescent bulb and CFL bulb).

APPLICATION

- Ideal for general ambient lighting in offices, conference rooms, shopping malls, exhibition pavilions, super markets, hotels and residential.



| TYPE | D (mm) | H (mm) |
|------|--------|--------|
| 3W | 61 | 112 |

| PRODUCT CODE | POWER (W) | INPUT VOLTAGE (V) | BASE | CCT (K) | LUMEN | CRI | LIFE (HRS) | BEAM ANGLE |
|--------------|------------|-------------------|------|---------|-------|-----|------------|------------|
| LS-04-0001 | 3W (MILKY) | 220V-240V | E27 | 3000K | 200 | ≥80 | 15,000 | 360° |
| LS-04-0002 | 3W (CLEAR) | 220V-240V | E27 | 3000K | 210 | ≥80 | 15,000 | 360° |



LIGHT SOURCE

MR16

12V



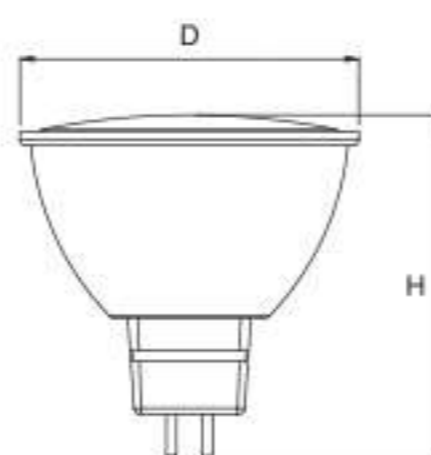
LED MR16 12V

FEATURES

- 80% saving on energy consumption.
- Long life expectancy > 25,000 hrs.
- Contain constant electrical current source driver, ensuring stability. Selected with high brightness LED chip.

APPLICATION

- Replacement for all sorts of lamps and lanterns that supports traditional light source.
- Ideal for general ambient lighting in offices, conference rooms, shopping malls, exhibition pavilions, super markets, hotels and residential.



| TYPE | D Ø (mm) | H (mm) |
|------|-------------|-----------|
| 5W | 50 | 50 |
| 7W | 50 | 52 |

| PRODUCT CODE | POWER (W) | INPUT VOLTAGE (V) | BASE | CCT (K) | LUMEN | CRI | LIFE (HRS) | BEAM ANGLE | DIMMABLE |
|--------------|-----------|-------------------|-------|---------|-------|-----|------------|------------|----------|
| LS-05-1001 | 5W | AC/DC 12V | GU5.3 | 6500K | 400 | ≥80 | 25,000 | 25° | ✗ |
| LS-05-1002 | 5W | AC/DC 12V | GU5.3 | 3000K | 400 | ≥80 | 25,000 | 25° | ✗ |
| LS-05-1004 | 7W | AC/DC 12V | GU5.3 | 3000K | 380 | ≥80 | 25,000 | 35° | ✓ |





LIGHT SOURCE

MR16

220V



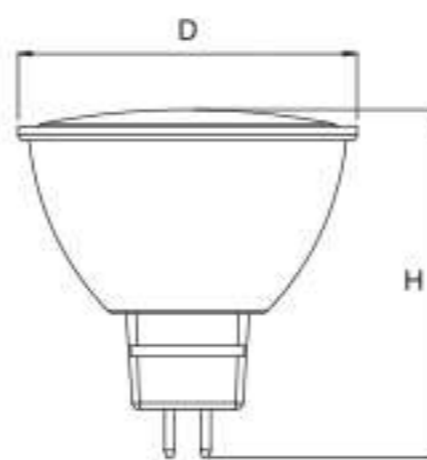
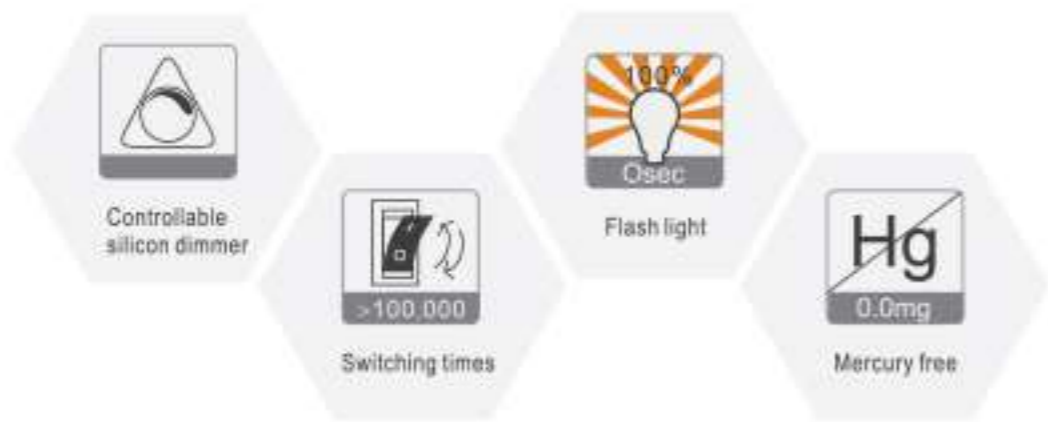
LED MR16 220V

FEATURES

- 80% saving on energy consumption.
- Long life expectancy > 25,000 hrs.
- Dimming range from 100% to 1%

APPLICATION

- Suitable for both leading edge and trailing edge dimmer.
- Ideal for general ambient lighting in offices, conference rooms, shopping malls, exhibition pavilions, super markets, hotels and residential.



| TYPE | D Ø(mm) | H (mm) |
|--------------|------------|-----------|
| 4W (GU5.3) | 50 | 51.5 |
| 5.5W (GU5.3) | 50 | 55 |
| 7W (GU5.3) | 50 | 51.5 |
| 5W (GU10) | 50 | 49.5 |
| 7W (GU10) | 50 | 55 |

| PRODUCT CODE | POWER (W) | INPUT VOLTAGE (V) | BASE | CCT (K) | LUMEN | CRI | LIFE (HRS) | BEAM ANGLE | DIMMABLE |
|--------------|-----------|-------------------|-------|---------|-------|-----|------------|------------|----------|
| LS-05-2002 | 4W | AC 220V | GU5.3 | 3000K | 260 | ≥80 | 25,000 | 25° | ✗ |
| LS-05-2003 | 5.5W | AC 220V | GU5.3 | 3000K | 420 | ≥80 | 25,000 | 36° | ✓ |
| LS-05-2005 | 5.5W | AC 220V | GU5.3 | 6500K | 400 | ≥80 | 25,000 | 110° | ✗ |
| LS-05-2001 | 7W | AC 220V | GU5.3 | 2700K | 520 | ≥80 | 25,000 | 120° | ✓ |
| LS-05-2006 | 5W | AC 220V | GU10 | 2700K | 250 | ≥80 | 25,000 | 25° | ✗ |
| LS-05-2007 | 7W | AC 220V | GU10 | 3000K | 420 | ≥80 | 25,000 | 35° | ✓ |



LIGHT SOURCE

G9/G4



LS-06-001
G9



LS-06-002
G4

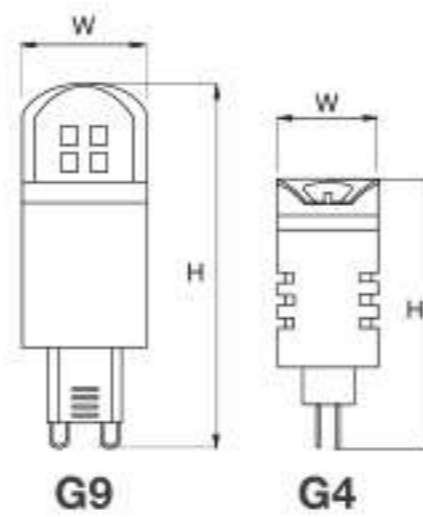
LED G9/G4

FEATURES

- 80% saving on energy consumption..
- Long life expectancy > 30,000 hrs.
- Halogen-like color.

APPLICATION

- Ideal for step lighting.



| TYPE | W (mm) | H (mm) |
|------|--------|--------|
| G9 | 12 | 47 |
| G4 | 12 | 41 |

LED G9

| PRODUCT CODE | POWER (W) | INPUT VOLTAGE (V) | BASE | CCT (K) | LUMEN | CRI | LIFE (HRS) | BEAM ANGLE |
|--------------|-----------|-------------------|------|---------|-------|-----|------------|------------|
| LS-06-0001 | 1.5W | AC 220V | G9 | 3000K | 200 | ≥80 | 30,000 | 360° |

LED G4

| PRODUCT CODE | POWER (W) | INPUT VOLTAGE (V) | BASE | CCT (K) | LUMEN | CRI | LIFE (HRS) | BEAM ANGLE |
|--------------|-----------|-------------------|------|---------|-------|-----|------------|------------|
| LS-06-0002 | 1W | DC 12V | G4 | 3000K | 200 | ≥80 | 30,000 | 360° |



LIGHT SOURCE

RING



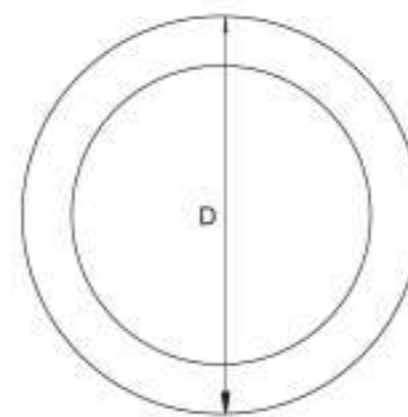
LED RING

FEATURES

- 80% saving on energy consumption.
- Long life expectancy > 25,000 hrs.
- Ideal for Fluorescent 40W replacement.

APPLICATION

- General ambient lighting for residential.



| TYPE | D Ø (mm) |
|------|-------------|
| 10W | 130 |
| 13W | 180 |
| 20W | 230 |
| 30W | 290 |

| PRODUCT CODE | POWER (W) | INPUT VOLTAGE (V) | BASE | CCT (K) | LUMEN | CRI | LIFE (HRS) | AREA |
|--------------|-----------|-------------------|--------------|---------|-------|-----|------------|--------------|
| LS-13-0007 | 10W | 220V-240V | SOCKET (L/N) | 6500K | 900 | ≥80 | 25,000 | 1 X 1 M. |
| LS-13-0008 | 10W | 220V-240V | SOCKET (L/N) | 3000K | 800 | ≥80 | 25,000 | 1 X 1 M. |
| LS-13-0001 | 13W | 220V-240V | SOCKET (L/N) | 6500K | 1300 | ≥80 | 25,000 | 1.5 X 1.5 M. |
| LS-13-0002 | 13W | 220V-240V | SOCKET (L/N) | 3000K | 1100 | ≥80 | 25,000 | 1.5 X 1.5 M. |
| LS-13-0005 | 20W | 220V-240V | SOCKET (L/N) | 6500K | 2000 | ≥80 | 25,000 | 2 X 2 M. |
| LS-13-0006 | 20W | 220V-240V | SOCKET (L/N) | 3000K | 1800 | ≥80 | 25,000 | 2 X 2 M. |
| LS-13-0009 | 30W | 220V-240V | SOCKET (L/N) | 6500K | 3000 | ≥80 | 25,000 | 3 X 3 M. |
| LS-13-0010 | 30W | 220V-240V | SOCKET (L/N) | 3000K | 2700 | ≥80 | 25,000 | 3 X 3 M. |



PAR LIGHT SOURCE INDOOR 20/30/38



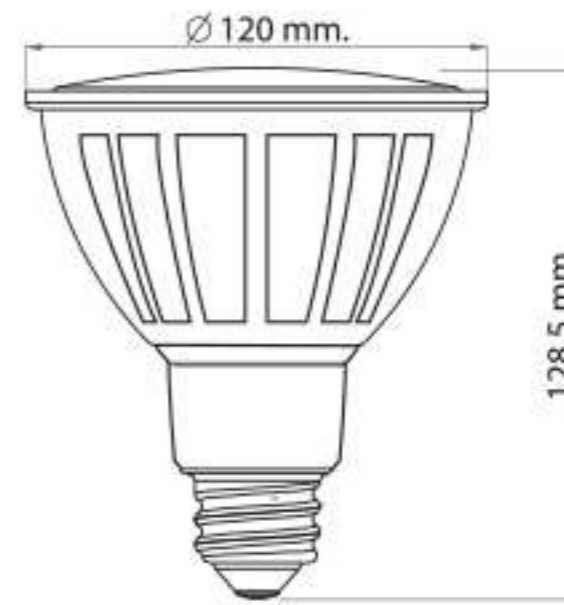
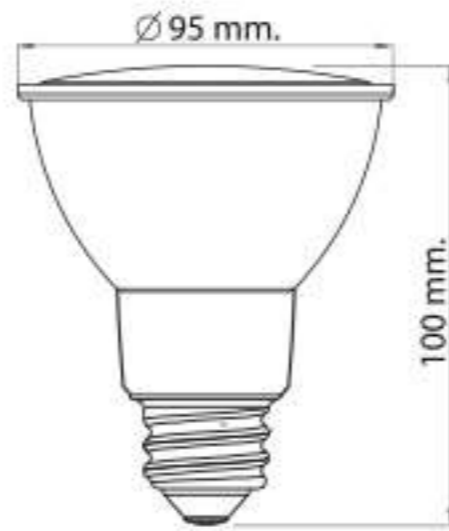
PAR20
8W



PAR30
12W



PAR38
20W



LED PAR20/30/38 INDOOR

FEATURES

- 80% saving on energy consumption.
- Long life expectancy > 25,000 hrs.
- Incandescent-like color.

APPLICATION

- Ideal for general ambient lighting in offices, conference rooms, shopping malls, exhibition pavilions, supermarkets, hotels and residential.

| PRODUCT CODE | POWER (W) | INPUT VOLTAGE (V) | BASE | CCT (K) | LUMEN | CRI | LIFE (HRS) | BEAM ANGLE | DIMMABLE |
|--------------|-------------|-------------------|------|---------|-------|-----|------------|------------|----------|
| LS-07-1001 | 8W (PAR20) | 220V-240V | E27 | 2700K | 450 | ≥80 | 25,000 | 35° | ✓ |
| LS-07-1003 | 12W (PAR30) | 220V-240V | E27 | 3000K | 1000 | ≥80 | 30,000 | 30° | ✗ |
| LS-07-1005 | 20W (PAR38) | 220V-240V | E27 | 2700K | 1200 | ≥80 | 25,000 | 25° | ✓ |
| LS-07-1006 | 20W (PAR38) | 220V-240V | E27 | 2700K | 1200 | ≥80 | 25,000 | 40° | ✓ |
| LS-07-1007 | 20W (PAR38) | 220V-240V | E27 | 4000K | 1200 | ≥80 | 25,000 | 40° | ✓ |





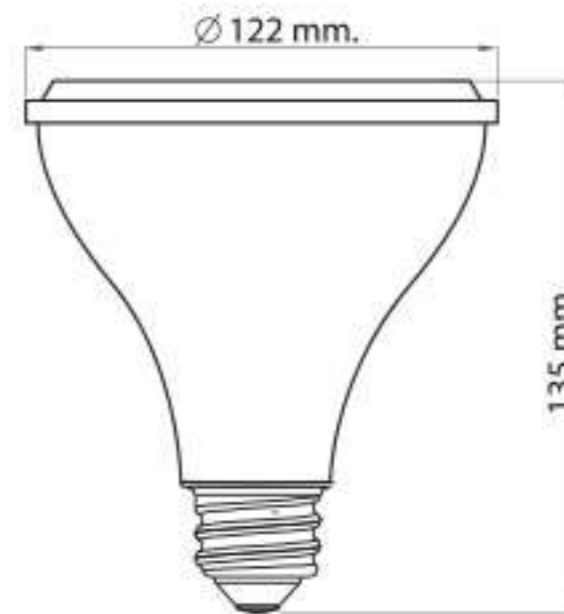
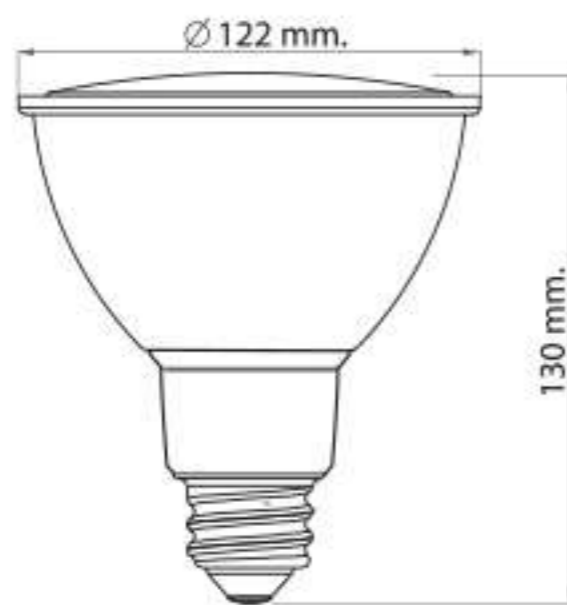
PAR LIGHT SOURCE OUTDOOR 38



PAR38
13W



PAR38
15W



LED PAR38 OUTDOOR

FEATURES

- 80% saving on energy consumption.
- Long life expectancy.
- Incandescent-like color.

APPLICATION

- Ideal for general ambient lighting in offices, conference rooms, shopping malls, exhibition pavilions, supermarkets, hotels and residential.

| PRODUCT CODE | POWER (W) | INPUT VOLTAGE (V) | BASE | CCT (K) | LUMEN | CRI | LIFE (HRS) | BEAM ANGLE |
|--------------|-----------|-------------------|------|---------|-------|-----|------------|------------|
| LS-07-0001 | 13W | 220V-240V | E27 | 6500K | 1560 | ≥80 | 25,000 | 100° |
| LS-07-0002 | 13W | 220V-240V | E27 | 2700K | 1400 | ≥80 | 25,000 | 100° |
| LS-07-0003 | 15W | 220V-240V | E27 | 2700K | 1055 | ≥80 | 25,000 | 25° |



LIGHT SOURCE

AR111

12V / NON-DIMMABLE



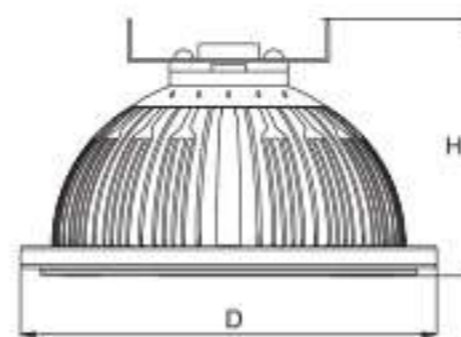
LED AR111 12V

FEATURES

- 80% saving on energy consumption.
- Long life expectancy 30,000 –50,000 hrs.
- Contain constant electrical current source driver, ensuring stability. Selected with high brightness LED chip.

APPLICATION

- Replacement for all sorts of lamps and lanterns that supports traditional light source
- Ideal for general ambient lighting in offices, conference rooms, shopping malls, exhibition pavilions, supermarkets, hotels and residential.



| TYPE | D Ø (mm) | H (mm) |
|------|-------------|-----------|
| 12W | 45 | 50 |
| 15W | 104 | 62 |

| PRODUCT CODE | POWER (W) | INPUT VOLTAGE (V) | BASE | CCT (K) | LUMEN | CRI | LIFE (HRS) | BEAM ANGLE |
|--------------|-----------|-------------------|-------|---------|-------|-----|------------|------------|
| LS-08-0003 | 12W | AC 220V | AR111 | 3000K | 860 | ≥80 | 50,000 | 38° |
| LS-08-0002 | 15W | AC 220V | AR111 | 3000K | 1100 | ≥80 | 30,000 | 100° |





LIGHT SOURCE

FACTORY



LS-09-0003
40W



LS-09-0004
60W

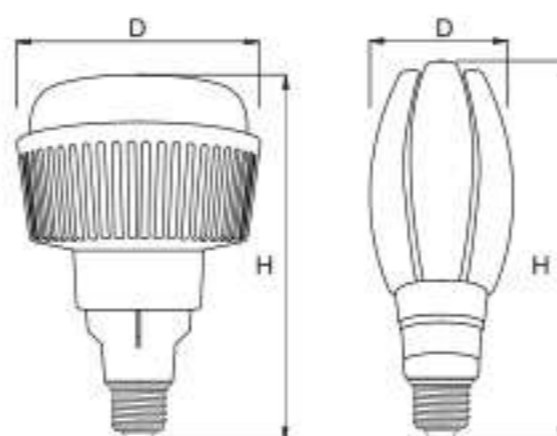
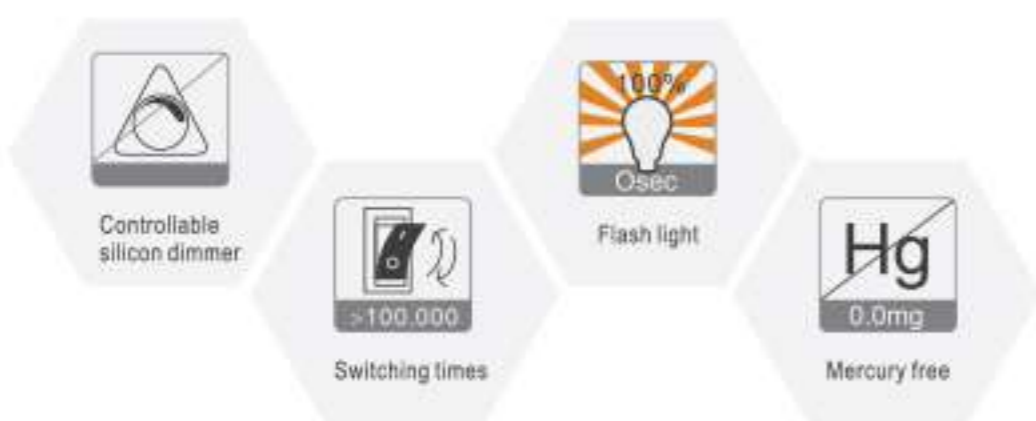
LED FACTORY BULB

FEATURES

- 80% saving on energy consumption
- Long life expectancy > 30,000 hrs.

APPLICATION

- Can be used as indoor highbay & lowbay, outdoor garden and street lamp.
- Ideal for general ambient lighting in factory, shopping malls, exhibition pavilions.



| TYPE | D ∅ (mm) | H (mm) |
|------|-------------|-----------|
| 30W | 80 | 180 |
| 40W | 145 | 221 |
| 60W | 100 | 275 |

| PRODUCT CODE | POWER (W) | INPUT VOLTAGE (V) | BASE | CCT (K) | LUMEN | CRI | LIFE (HRS) | BEAM ANGLE |
|--------------|-----------|-------------------|------|---------|-------|-----|------------|------------|
| LS-09-0003 | 40W | 220V-240V | E40 | 6500K | 3800 | ≥80 | 30,000 | 220° |
| LS-09-0005 | 30W | 220V-240V | E27 | 4000K | 2700 | ≥80 | 30,000 | 360° |
| LS-09-0006 | 60W | 220V-240V | E40 | 4000K | 5400 | ≥80 | 30,000 | 360° |
| * LS-09-0004 | 60W | 220V-240V | E40 | 6500K | 5400 | ≥80 | 30,000 | 360° |

* Reminder : Always use with driver



LIGHT SOURCE

CORN BULB

IP 64



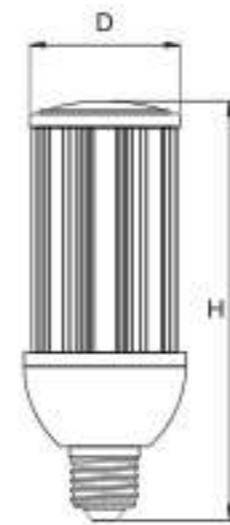
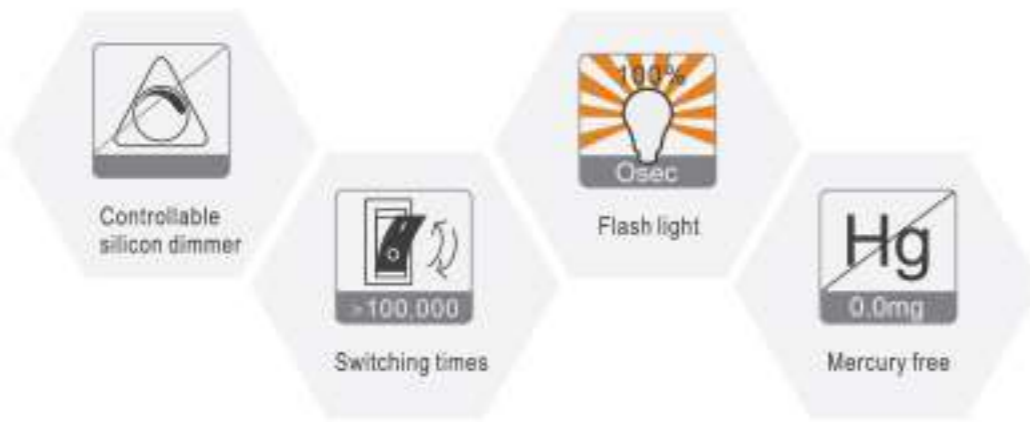
LED CORN BULB IP64

FEATURES

- Long life hours > 50,000 hrs.
- IP 64, can be used as indoor highbay & lowbay, outdoor garden lamp and street lamp.
- Replacement for traditional lamp of higher power . Higher efficiency leading to more energy saved (150lm/W, as compared with 100lm/W.)

APPLICATION

- Can be used as indoor highbay & lowbay, outdoor garden lamp and street lamp.
- Ideal for general ambient lighting in factory, shopping malls and street light.



| TYPE | D (mm) | H (mm) |
|------|--------|--------|
| 27W | 93.2 | 197.9 |
| 36W | 93.2 | 227.9 |
| 54W | 93.2 | 258.9 |
| 72W | 119 | 290.6 |

| PRODUCT CODE | POWER (W) | INPUT VOLTAGE (V) | BASE | CCT (K) | LUMEN | CRI | LIFE (HRS) | BEAM ANGLE | PF |
|--------------|-----------|-------------------|------|---------|-------|-----|------------|------------|-------|
| LS-10-0001 | 27W | 220V-240V | E27 | 6500K | 2250 | ≥80 | 50,000 | 360° | >0.90 |
| LS-10-0002 | 36W | 220V-240V | E27 | 6500K | 3100 | ≥80 | 50,000 | 360° | >0.90 |
| LS-10-0003 | 54W | 220V-240V | E40 | 4000K | 8230 | ≥80 | 50,000 | 360° | >0.90 |
| LS-10-0004 | 72W | 220V-240V | E40 | 4000K | 12100 | ≥80 | 50,000 | 360° | >0.90 |



LIGHT SOURCE

PL



LED PL

FEATURES

- 80% saving on energy consumption
- Longer life hours > 25,000 hrs.

APPLICATION

- Replacement for all sorts of lamps and lanterns that supports traditional light source.
- Ideal for general ambient lighting in offices, conference rooms, shopping malls, exhibition pavilions, supermarkets, hotels and residential.



Controllable silicon dimmer



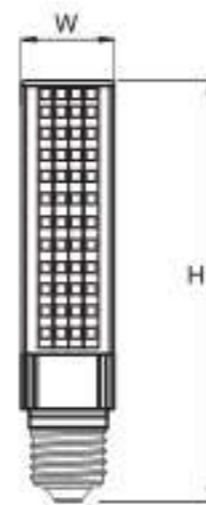
Switching times



Flash light



Mercury free



| TYPE | W (mm) | H (mm) |
|------|--------|--------|
| 5W | 35 | 130 |
| 9W | 35 | 160 |
| 13W | 35 | 190 |

| PRODUCT CODE | POWER (W) | INPUT VOLTAGE (V) | BASE | CCT (K) | LUMEN | CRI | LIFE (HRS) | BEAM ANGLE |
|--------------|-----------|-------------------|------|---------|-------|-----|------------|------------|
| LS-11-0007 | 5W | 220V-240V | E27 | 6500K | 400 | ≥80 | 25,000 | 110° |
| LS-11-0008 | 5W | 220V-240V | E27 | 3000K | 400 | ≥80 | 25,000 | 110° |
| LS-11-0009 | 9W | 220V-240V | E27 | 6500K | 700 | ≥80 | 25,000 | 110° |
| LS-11-0010 | 9W | 220V-240V | E27 | 3000K | 700 | ≥80 | 25,000 | 110° |
| LS-11-0011 | 13W | 220V-240V | E27 | 6500K | 1000 | ≥80 | 25,000 | 110° |
| LS-11-0012 | 13W | 220V-240V | E27 | 3000K | 1000 | ≥80 | 25,000 | 110° |



LS-12-0001
[75 X 115 mm.]



LS-12-0002
[64 X 140 mm.]



LS-12-0003
[64 X 140 mm.]



LS-12-0004
[64 X 140 mm.]



LIGHT SOURCE

VINTAGE FILAMENT



FEATURES

- Incandescent-like color, soft lighting with 2200K CCT.
- 80% saving on energy consumption.
- Long life expectancy > 25,000 hrs.
- Available to standard bulb socket. (replacement for incandescent bulb)

APPLICATION

- Ideal for general ambient lighting in hotels, restaurants, shopping mall and residential.





LS-12-0005
[64 X 140 mm.]



LS-12-0006
[122 X 170 mm.]



LS-12-0007
[30 X 300 mm.]

| PRODUCT CODE | POWER (W) | INPUT VOLTAGE (V) | BASE | CCT (K) | LUMEN | CRI | LIFE (HRS) | BEAM ANGLE |
|--------------|-----------|-------------------|------|---------|-------|-----|------------|------------|
| LS-12-0001 | 2W (BALL) | 220V-240V | E27 | 2200K | 180 | ≥80 | 25,000 | 360° |
| LS-12-0002 | 2W (DROP) | 220V-240V | E27 | 2200K | 180 | ≥80 | 25,000 | 360° |
| LS-12-0003 | 3W (DROP) | 220V-240V | E27 | RED | - | - | 25,000 | 360° |
| LS-12-0004 | 3W (DROP) | 220V-240V | E27 | GREEN | - | - | 25,000 | 360° |
| LS-12-0005 | 3W (DROP) | 220V-240V | E27 | BLUE | - | - | 25,000 | 360° |
| LS-12-0006 | 4W (BALL) | 220V-240V | E27 | 3000K | 280 | ≥80 | 25,000 | 360° |
| LS-12-0007 | 7W (TUBE) | 220V-240V | E27 | 3000K | 490 | ≥80 | 25,000 | 360° |

LED STRIP

LOW BRIGHTNESS 12V



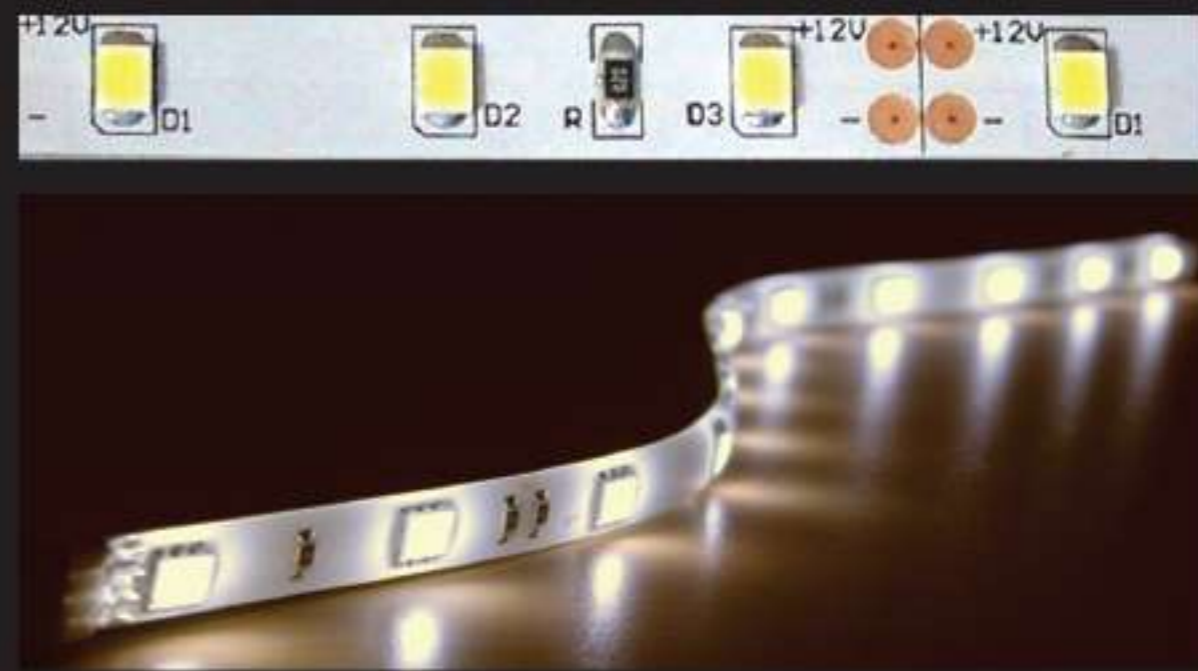
| TECHNICAL SPECIFICATION 5 m./pack | |
|-----------------------------------|---|
| LUMEN | 15,000 lumen per reel / 300 lumen per meter |
| WATER PROOFING | IP20 / IP65 |
| WORKING VOLTAGE (V) | 12V DC |
| DIMMIBILITY | Fully Dimmable |
| BEAM ANGLE | 120 Degrees |
| CUTTABLE | Every third LED |
| POWER CONSUMPTION | 4.8 Watts per meter / 24 watts per reel |
| UV EMISSION | NO |
| LED COUNT PER REEL | 300 LEDs per reel (2835 size LED) 5 meters |

APPLICATIONS

- Accent Lighting
- Display Cases / Jewelry Cases
- Modern style lighting design
- Table-top LED light
- Display pictures backlighting
- TV backlighting

SAFETY INFORMATION

- Please consult an electrician before doing any electrical work.
- The strip and its components should not be pressed too strongly.
- Correct electrical polarity needs to be addressed.
- Installation should be done by an electrician.
- Ensure that the power supply is compatible. (the total load), failure to do so may cause damage to the LEDs of the driver.



| INFOMATION | LED CHIPS | AMPS | CCT (K) | CRI | LED CHIP TYPE |
|---------------|-----------|------|-------------|---------|---------------|
| WARM WHITE | 60 PCS/M. | 2 | 2700K-3200K | >80 CRI | SMD2835 |
| NATURAL WHITE | 60 PCS/M. | 2 | 4000K-4500K | >80 CRI | SMD2835 |
| WHITE | 60 PCS/M. | 2 | 6000K-6500K | >80 CRI | SMD2835 |

IP 20

| PRODUCT CODE | AMOUNT | INPUT VOLTAGE (V) | BASE | CCT (K) | LUMEN | CRI | LIFE (HRS) | BEAM ANGLE |
|--------------|--------|-------------------|---------|---------|-----------|-----|------------|------------|
| LS-14-1001 | 5 M. | 12V | 3M GLUE | 6500K | 300 lm/m. | ≥80 | 30,000 | 110° |
| LS-14-1002 | 5 M. | 12V | 3M GLUE | 4000K | 300 lm/m. | ≥80 | 30,000 | 110° |
| LS-14-1003 | 5 M. | 12V | 3M GLUE | 3000K | 300 lm/m. | ≥80 | 30,000 | 110° |

IP 65

| PRODUCT CODE | AMOUNT | INPUT VOLTAGE (V) | BASE | CCT (K) | LUMEN | CRI | LIFE (HRS) | BEAM ANGLE |
|--------------|--------|-------------------|---------|---------|-----------|-----|------------|------------|
| LS-14-0001 | 5 M. | 12V | 3M GLUE | 6500K | 300 lm/m. | ≥80 | 30,000 | 110° |
| LS-14-0002 | 5 M. | 12V | 3M GLUE | 4000K | 300 lm/m. | ≥80 | 30,000 | 110° |
| LS-14-0003 | 5 M. | 12V | 3M GLUE | 3000K | 300 lm/m. | ≥80 | 30,000 | 110° |



LED STRIP

MEDIUM BRIGHTNESS 12V

CE RoHS

| TECHNICAL SPECIFICATION 5 m./pack | |
|-----------------------------------|--|
| LUMEN | 3,600 lumen per reel / 720 lumen per meter |
| WATER PROOFING | IP20 / IP65 |
| WORKING VOLTAGE (V) | 12V DC |
| DIMMIBILITY | Fully Dimmable |
| BEAM ANGLE | 120 Degrees |
| CUTTABLE | Every third LED |
| POWER CONSUMPTION | 14.4 Watts per meter / 72 watts per reel |
| UV EMISSION | NO |
| LED COUNT PER REEL | 300 LEDs per reel (5050 size LED) 5 meters |

APPLICATIONS

- Under Cabinet Lighting
- Display Cases / Jewelry Cases
- Modern style light design
- Bar top LED light
- Table-top LED light
- Display pictures backlighting
- Outdoor Architecture

SAFETY INFORMATION

- Please consult an electrician before doing any electrical work.
- The strip and its components should not be pressed too strongly.
- Correct electrical polarity needs to be addressed.
- Installation should be done by an electrician.
- Ensure that the power supply is compatible. (the total load), failure to do so may cause damage to the LEDs of the driver.



| INFOMATION | LED CHIPS | AMPS | CCT (K) | CRI | LED CHIP TYPE |
|---------------|------------|------|-------------|---------|---------------|
| WARM WHITE | 120 PCS/M. | 6 | 2700K-3200K | >80 CRI | SMD5050 |
| NATURAL WHITE | 120 PCS/M. | 6 | 4000K-4500K | >80 CRI | SMD5050 |
| WHITE | 120 PCS/M. | 6 | 6000K-6500K | >80 CRI | SMD5050 |

IP 20

| PRODUCT CODE | AMOUNT | INPUT VOLTAGE (V) | BASE | CCT (K) | LUMEN | CRI | LIFE (HRS) | BEAM ANGLE |
|--------------|--------|-------------------|---------|---------|-----------|-----|------------|------------|
| LS-14-1004 | 5 M. | 12V | 3M GLUE | 6500K | 720 lm/m. | ≥80 | 30,000 | 110° |
| LS-14-1005 | 5 M. | 12V | 3M GLUE | 4000K | 720 lm/m. | ≥80 | 30,000 | 110° |
| LS-14-1006 | 5 M. | 12V | 3M GLUE | 3000K | 720 lm/m. | ≥80 | 30,000 | 110° |
| LS-14-1007 | 5 M. | 12V | 3M GLUE | RGB | 720 lm/m. | ≥80 | 30,000 | 110° |

IP 65

| PRODUCT CODE | AMOUNT | INPUT VOLTAGE (V) | BASE | CCT (K) | LUMEN | CRI | LIFE (HRS) | BEAM ANGLE |
|--------------|--------|-------------------|---------|---------|-----------|-----|------------|------------|
| LS-14-0004 | 5 M. | 12V | 3M GLUE | 6500K | 720 lm/m. | ≥80 | 30,000 | 110° |
| LS-14-0005 | 5 M. | 12V | 3M GLUE | 4000K | 720 lm/m. | ≥80 | 30,000 | 110° |
| LS-14-0006 | 5 M. | 12V | 3M GLUE | 3000K | 720 lm/m. | ≥80 | 30,000 | 110° |
| LS-14-0007 | 5 M. | 12V | 3M GLUE | RGB | 720 lm/m. | ≥80 | 30,000 | 110° |

LED STRIP

HIGH BRIGHTNESS 12V



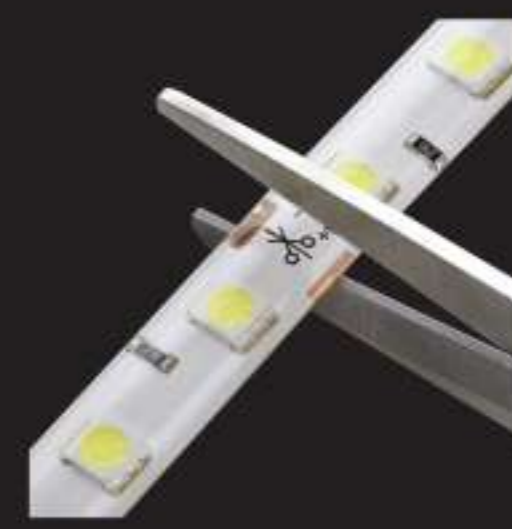
| TECHNICAL SPECIFICATION 5 m./pack | |
|-----------------------------------|---|
| LUMEN | 6,000 lumen per reel / 1,200 lumen per meter |
| WATER PROOFING | IP20 / IP65 |
| WORKING VOLTAGE (V) | 12V DC |
| DIMMIBILITY | Fully Dimmable |
| BEAM ANGLE | 120 Degrees |
| CUTTABLE | Every third LED |
| POWER CONSUMPTION | 12 Watts per meter / 60 watts per reel |
| UV EMISSION | NO |
| LED COUNT PER REEL | 600 LEDs per reel (2835 size LED) 5 meters |

APPLICATIONS

- Under Cabinet Lighting
- Display Cases / Jewelry Cases
- Modern style light design
- Bar top LED light
- Table-top LED light
- Display pictures backlighting
- Outdoor Architecture

SAFETY INFORMATION

- Please consult an electrician before doing any electrical work.
- The strip and its components should not be pressed too strongly.
- Correct electrical polarity needs to be addressed.
- Installation should be done by an electrician.
- Ensure that the power supply is compatible. (the total load), failure to do so may cause damage to the LEDs of the driver.



| INFOMATION | LED CHIPS | AMPS | CCT (K) | CRI | LED CHIP TYPE |
|---------------|------------|------|-------------|---------|---------------|
| WARM WHITE | 120 PCS/M. | 5 | 2700K-3200K | >80 CRI | SMD2835 |
| NATURAL WHITE | 120 PCS/M. | 5 | 4000K-4500K | >80 CRI | SMD2835 |
| WHITE | 120 PCS/M. | 5 | 6000K-6500K | >80 CRI | SMD2835 |

IP 20

| PRODUCT CODE | AMOUNT | INPUT VOLTAGE (V) | BASE | CCT (K) | LUMEN | CRI | LIFE (HRS) | BEAM ANGLE |
|--------------|--------|-------------------|---------|---------|------------|-----|------------|------------|
| LS-14-1008 | 5 M. | 12V | 3M GLUE | 6500K | 1200 lm/m. | ≥80 | 30,000 | 110° |
| LS-14-1009 | 5 M. | 12V | 3M GLUE | 4000K | 1200 lm/m. | ≥80 | 30,000 | 110° |
| LS-14-1010 | 5 M. | 12V | 3M GLUE | 3000K | 1200 lm/m. | ≥80 | 30,000 | 110° |

IP 65

| PRODUCT CODE | AMOUNT | INPUT VOLTAGE (V) | BASE | CCT (K) | LUMEN | CRI | LIFE (HRS) | BEAM ANGLE |
|--------------|--------|-------------------|---------|---------|------------|-----|------------|------------|
| LS-14-0008 | 5 M. | 12V | 3M GLUE | 6500K | 1200 lm/m. | ≥80 | 30,000 | 110° |
| LS-14-0009 | 5 M. | 12V | 3M GLUE | 4000K | 1200 lm/m. | ≥80 | 30,000 | 110° |
| LS-14-0010 | 5 M. | 12V | 3M GLUE | 3000K | 1200 lm/m. | ≥80 | 30,000 | 110° |



LED STRIP

ULTRA BRIGHTNESS 12V

CE RoHS

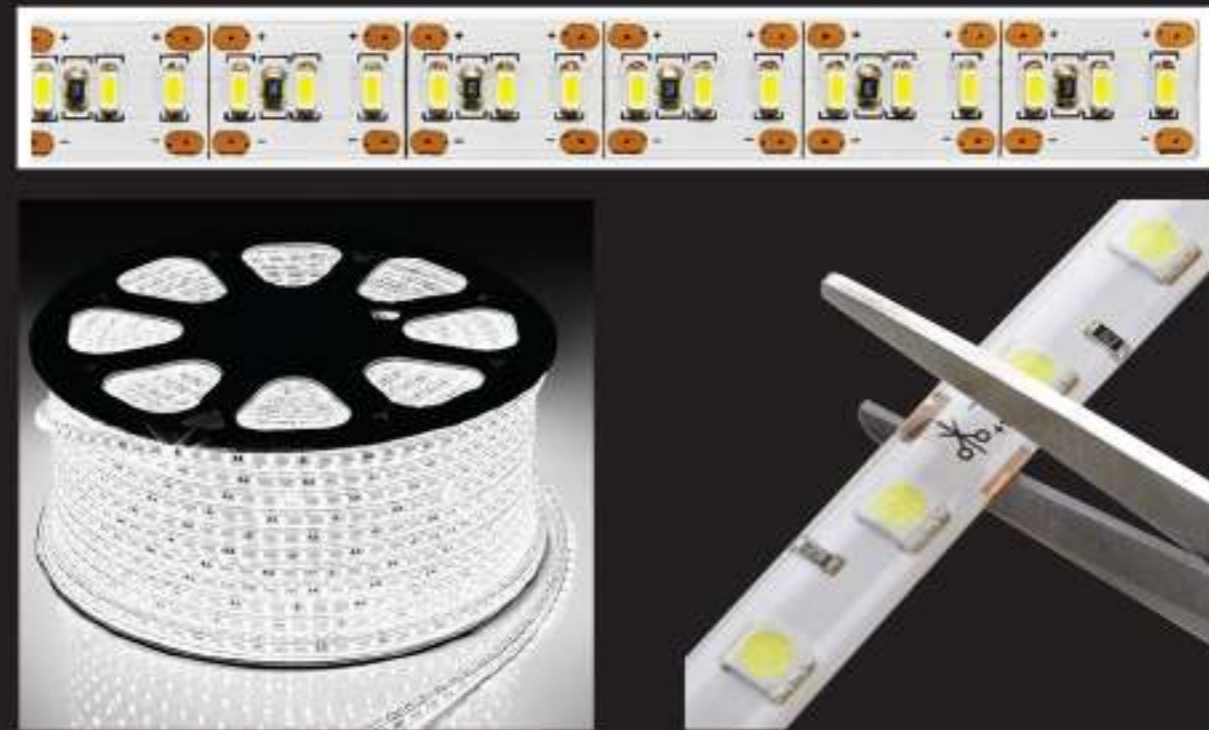
| TECHNICAL SPECIFICATION 5 m./pack | |
|-----------------------------------|--|
| LUMEN | 12,000 lumen per reel / 2,400 lumen per meter |
| WATER PROOFING | IP20 |
| WORKING VOLTAGE (V) | 12V DC |
| DIMMIBILITY | Fully Dimmable |
| BEAM ANGLE | 120 Degrees |
| CUTTABLE | Every third LED |
| POWER CONSUMPTION | 24 Watts per meter / 120 watts per reel |
| UV EMISSION | NO |
| LED COUNT PER REEL | 600 LEDs per reel (2835 size LED) 5 meters |

APPLICATIONS

- Ceiling
- Modern style light design
- Resorts & Hotels
- Furniture
- Industrial
- Outdoor Architecture

SAFETY INFORMATION

- Please consult an electrician before doing any electrical work.
- The strip and its components should not be pressed too strongly.
- Correct electrical polarity needs to be addressed.
- Installation should be done by an electrician.
- Ensure that the power supply is compatible. (the total load), failure to do so may cause damage to the LEDs of the driver.



| INFOMATION | LED CHIPS | AMPS | CCT (K) | CRI | LED CHIP TYPE |
|---------------|------------|------|-------------|---------|---------------|
| WARM WHITE | 120 PCS/M. | 10 | 2700K-3200K | >80 CRI | SMD2835 |
| NATURAL WHITE | 120 PCS/M. | 10 | 4000K-4500K | >80 CRI | SMD2835 |
| WHITE | 120 PCS/M. | 10 | 6000K-6500K | >80 CRI | SMD2835 |

IP 20

| PRODUCT CODE | AMOUNT | INPUT VOLTAGE (V) | BASE | CCT (K) | LUMEN | CRI | LIFE (HRS) | BEAM ANGLE |
|--------------|--------|-------------------|---------|---------|------------|-----|------------|------------|
| LS-14-1011 | 5 M. | 12V | 3M GLUE | 6500K | 2400 lm/m. | ≥80 | 30,000 | 110° |
| LS-14-1012 | 5 M. | 12V | 3M GLUE | 4000K | 2400 lm/m. | ≥80 | 30,000 | 110° |
| LS-14-1013 | 5 M. | 12V | 3M GLUE | 3000K | 2400 lm/m. | ≥80 | 30,000 | 110° |

LED STRIP

220V DC



CE RoHS

TECHNICAL SPECIFICATION 5 m./pack

| | |
|---------------------|---|
| LUMEN | 3,600 lumen per reel / 720 lumen per meter |
| WATER PROOFING | IP65 |
| WORKING VOLTAGE (V) | 220V DC |
| DIMMIBILITY | Fully Dimmable |
| BEAM ANGLE | 120 Degrees |
| CUTTABLE | Every third LED |
| POWER CONSUMPTION | 14.4 Watts per meter |
| UV EMISSION | NO |
| LED COUNT PER REEL | (5050 size LED) 5 meters |

APPLICATIONS

- Ceiling
- Modern style light design
- Resorts & Hotels
- Furniture
- Industrial application
- Outdoor Architecture

SAFETY INFORMATION

- Please consult an electrician before doing any electrical work.
- The strip and its components should not be pressed too strongly.
- Correct electrical polarity needs to be addressed.
- Installation should be done by an electrician.
- Ensure that the power supply is compatible. (the total load), failure to do so may cause damage to the LEDs of the driver.



| INFOMATION | LED CHIPS | AMPS | CCT (K) | CRI | LED CHIP TYPE |
|---------------|-----------|------|---------|---------|---------------|
| WARM WHITE | 60 PCS/M. | - | 3000K | >75 CRI | SMD5050 |
| NATURAL WHITE | 60 PCS/M. | - | 4500K | >75 CRI | SMD5050 |
| WHITE | 60 PCS/M. | - | 6000K | >75 CRI | SMD5050 |

IP 65

| PRODUCT CODE | AMOUNT | INPUT VOLTAGE (V) | BASE | CCT (K) | LUMEN | CRI | LIFE (HRS) | BEAM ANGLE |
|--------------|--------|-------------------|------|---------|-----------|-----|------------|------------|
| LS-15-0001 | 50 M. | 220V DC | - | 6500K | 720 lm/m. | ≥75 | 30,000 | 110° |
| LS-15-0002 | 50 M. | 220V DC | - | 4000K | 720 lm/m. | ≥75 | 30,000 | 110° |
| LS-15-0003 | 50 M. | 220V DC | - | 3000K | 720 lm/m. | ≥75 | 30,000 | 110° |
| LS-15-0004 | 50 M. | 220V DC | - | RED | 720 lm/m. | - | 30,000 | 110° |
| LS-15-0005 | 50 M. | 220V DC | - | GREEN | 720 lm/m. | - | 30,000 | 110° |
| LS-15-0006 | 50 M. | 220V DC | - | BLUE | 720 lm/m. | - | 30,000 | 110° |
| LS-15-0007 | 50 M. | 220V DC | - | YELLOW | 720 lm/m. | - | 30,000 | 110° |
| LS-15-0008 | 50 M. | 220V DC | - | PURPLE | 720 lm/m. | - | 30,000 | 110° |
| LS-15-0009 | 50 M. | 220V DC | - | RGB | 720 lm/m. | - | 30,000 | 110° |

